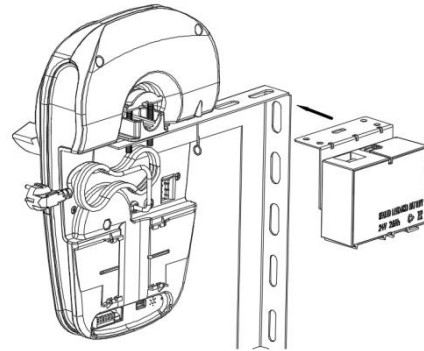


Installation Manual of Lead-acid Battery Backup Top Mounting Bracket to RDO

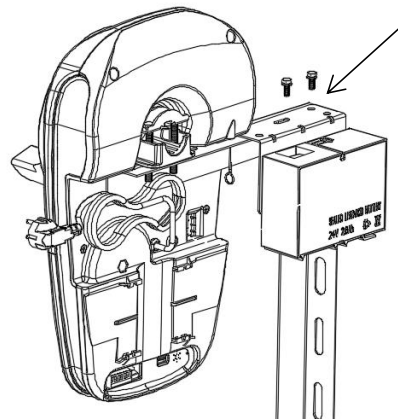
STEP 1:

Insert the top mounting bracket of the lead-acid battery backup into the bracket placed on the mounting side of the rolling door motor.



STEP 2:

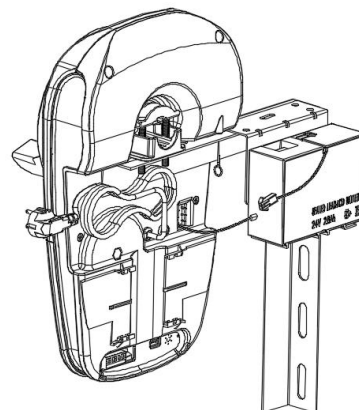
Calibrate the hole positions of the top mounting bracket and the roller door motor bracket to ensure that at least one hole position can be completely aligned. If the other hole position cannot be aligned, a hole needs to be opened; use 2 x M8 bolts and nuts to fix the top mounting bracket of the lead-acid battery backup.



M8 bolt
through holes
need to be
opened here

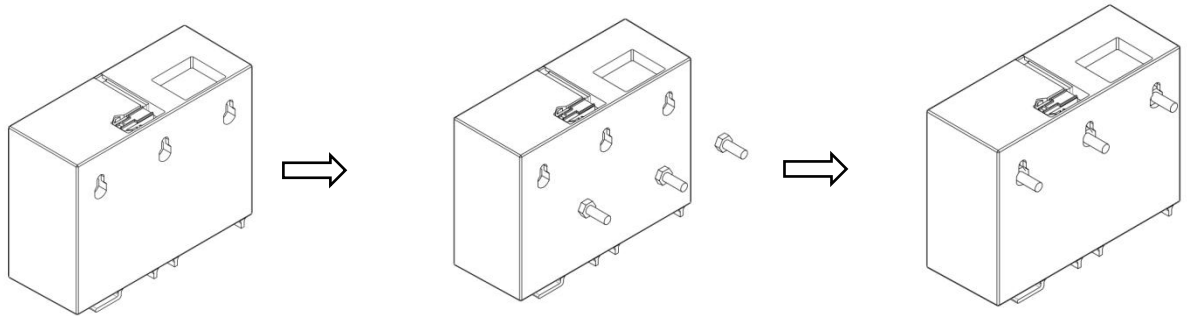
STEP 3:

Take out the battery wires of lead-acid battery backup and the roller door motor, and then connect them for use.

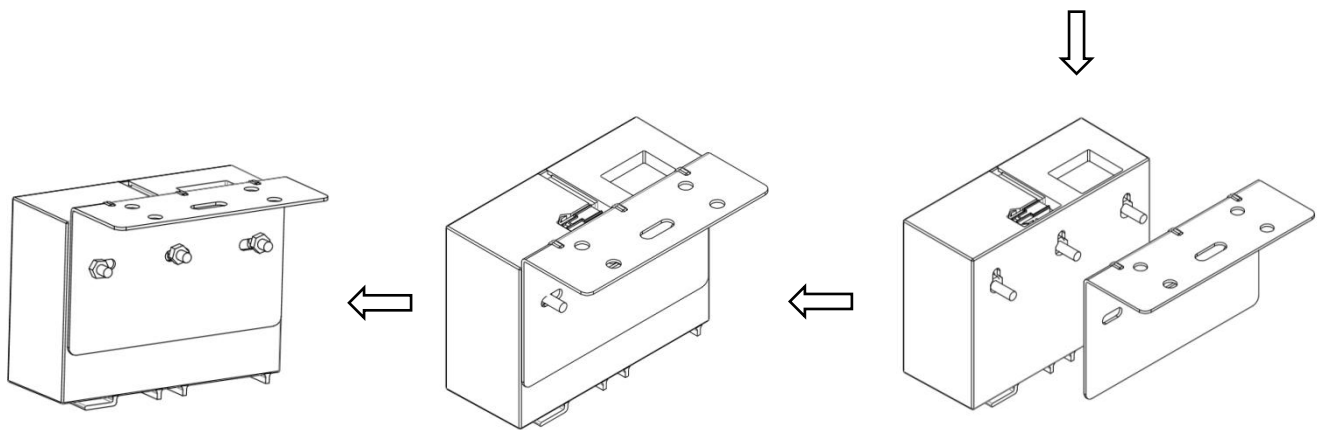


Fixing Method of Lead-acid Battery Backup Top Mounting Bracket

STEPS:



Put the M6 screws
in the hanging hole



Fix and tighten
the M6 nuts

Metal plate close
to battery backup case

The holes in the metal
plate face the bolts