

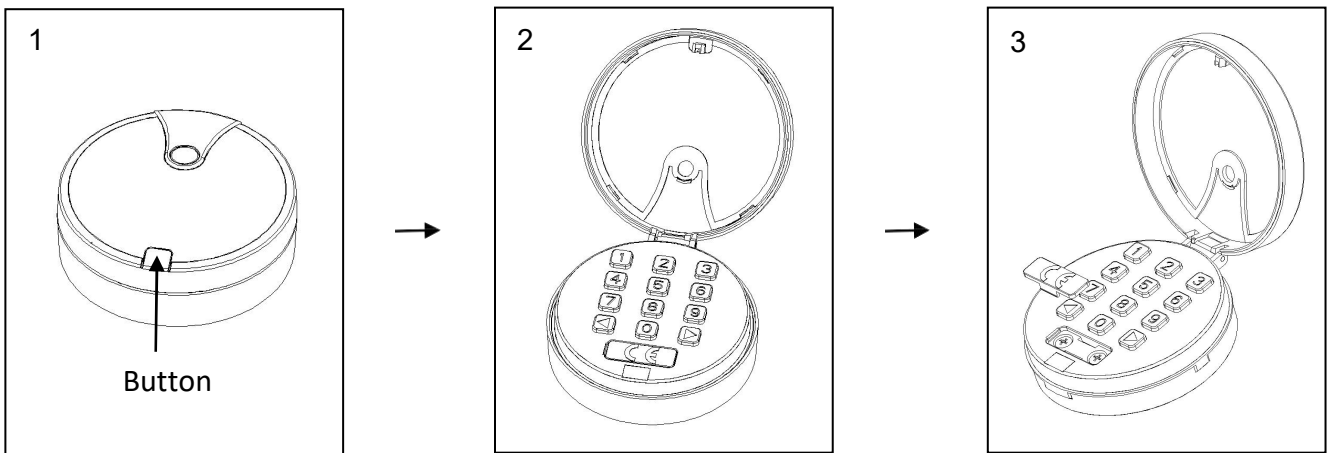
## Instruction of GDO-WK02

Frequency: 433.92 MHz Rolling Code

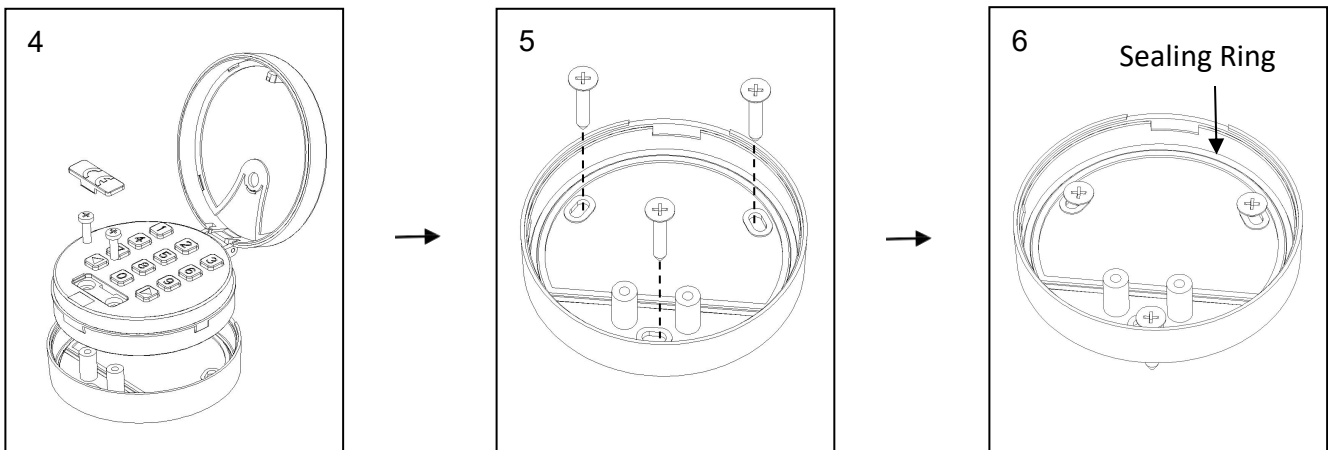
Battery: CR2032 3V

- This is a dual channel transmitters that are activated only after having entered a suitable combination.
- The units are designed for installation in indoor or outdoor locations.
- The estimated transmission range is 50m.
- The units are designed to ensure battery life equivalent to an estimated 2000 transmissions.

### Installation



1. Press the button open the cover, use a screwdriver to lift CE cover on the left.(1-3)



2. Remove the 4x12 screws with Philips screwdriver to separate the board of wireless keypad.(4)

3. Secure the cover to wall with three 4x25 countersunk head tapping screws.(5-6)

4. Install as originally.(6-1)

PS: Please pay attention to sealing ring when installing.

## Programming

### 1. Method of use

The use of the keypad is based on i.e. numbers of from 1 to 9 digits that the user is required to key in by means of the keys.

Channel 1 initial password: 11. Enter the password 11, press ◀ button to confirm.

Channel 2 initial password: 33. Enter the password 33, press ▶ button to confirm.

Long beep: The password is correct.

Rapid short beep: The password is wrong.

### 2. Changing a password:

Channel 1: 1) Press the ◀ button till you hear the long beep, the signal light in the upper left corner flashes.

2) Enter the old password, press the ◀ button to confirm.

a. Long beep & the signal light stop flash means the old password is correct.

b. Rapid beep means the old password is wrong and exit password update.

3) Enter the password with 1-8 digits, press the ◀ button to confirm, the signal light in the lower left corner flashes.

a. Rapid short beep means the password exceeds 8 digits and exit password update.

4) Enter the new password again, press the ◀ button to confirm.

a. Long beep means the same password twice.

b. Rapid short beep means different password twice and exit password update.

Channel 2: 1) Press the ▶ button till you hear the long beep, the signal light in the upper left corner flashes.

2) Enter the old password, press the ▶ button to confirm.

a. Long beep & the signal light stop flash means the old password is correct.

b. Rapid beep means the old password is wrong and exit password update.

3) Enter the password with 1-8 digits, press the ▶ button to confirm, the signal light in the lower left corner flashes.

a. Rapid short beep means the password exceeds 8 digits and exit password update.

4) Enter the new password again, press the ▶ button to confirm.

a. Long beep means the same password twice.

b. Rapid short beep means different password twice and exit password update.